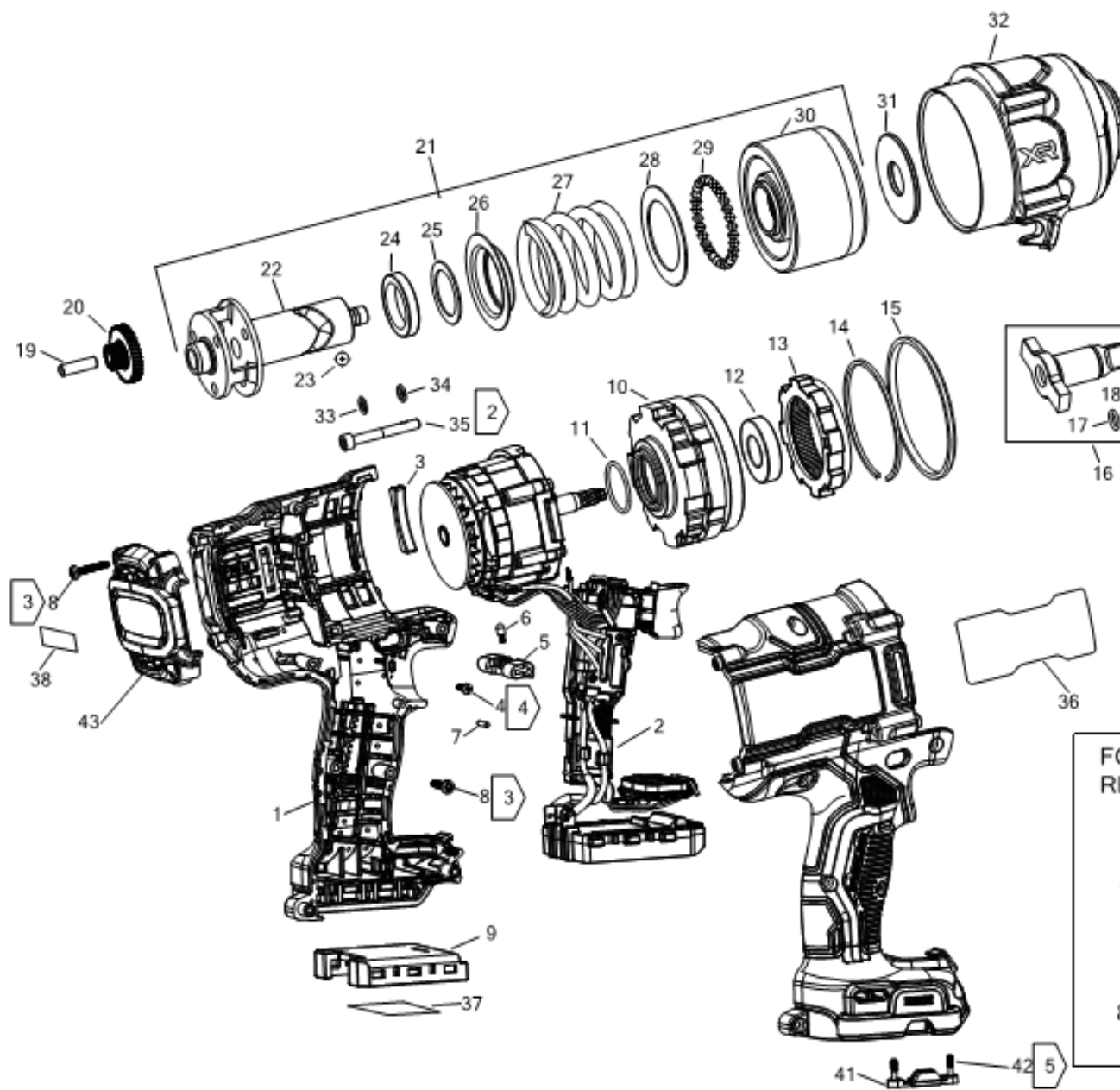


# DCF961H2T CORDLESS IMPACT WRENCH 1



## NOTES:

- 2. TORQUE TO BE  $4.5 \pm 0.3$  NM
- 3. TORQUE TO BE  $1.7 \pm 0.2$  NM
- 4. TORQUE TO BE  $0.9 \pm 0.2$  NM
- 5. TIGHTEN SCREWS TO  $0.5$  NM  $\pm 0.1$  NM.

FOR REFERENCE  
REFER TO PARTS LIST

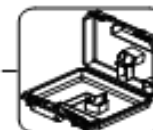
871



866



861



800



## Parts List DCF961H2T CORDLESS IMPACT WRENCH 1

| Item | Part Number | Qty | Part Description  | General Description | Other Info | Repair Inst | Markets |
|------|-------------|-----|-------------------|---------------------|------------|-------------|---------|
| 1    | NA233933    | 1   | HOUSING SA        |                     |            | No          | QW      |
| 2    | NA325986    | 1   | MOTOR & SWITCH SA |                     |            | No          | QW      |
| 3    | N864724     | 4   | MOUNT             |                     |            | No          | QW      |
| 4    | N042665     | 1   | SCREW             |                     |            | No          | QW      |
| 5    | N865539     | 1   | ACTUATOR FWD/REV  |                     |            | No          | QW      |
| 6    | N403227     | 1   | DETENT            |                     |            | No          | QW      |
| 7    | N071836     | 1   | ROLL PIN          |                     |            | No          | QW      |
| 8    | 330019-04   | 11  | SCREW             |                     |            | No          | QW      |
| 9    | NA169892    | 1   | ISOLATOR          |                     |            | No          | QW      |
| 10   | N846042     | 1   | GEARCASE          |                     |            | No          | QW      |
| 11   | N411414     | 1   | O RING            |                     |            | No          | QW      |
| 12   | N158641     | 1   | BEARING           |                     |            | No          | QW      |
| 13   | N846040     | 1   | INTERGEAR         | RING GEAR           |            | No          | QW      |
| 14   | N888542     | 1   | RING              | RETAINING RING      |            | No          | QW      |
| 15   | N846523     | 1   | RUBBER SEAL       |                     |            | No          | QW      |
| 16   | NA325987    | 1   | ANVIL ASSEMBLY    |                     |            | No          | QW      |
| 17   | 050056-00   | 1   | O RING            |                     |            | No          | QW      |
| 18   | 086947-00   | 1   | CIRCLIP           |                     |            | No          | QW      |
| 19   | N756784     | 3   | PIN               |                     |            | No          | QW      |
| 20   | NA031992    | 3   | GEAR              |                     |            | No          | QW      |
| 21   | NA325989    | 1   | TRANSMISSION SA   | SA MECHANISM        |            | No          | QW      |
| 22   | NA201540    | 1   | CARRIER           |                     |            | No          | QW      |
| 23   | NA091720    | 2   | BALL STEEL        |                     |            | No          | QW      |
| 24   | N745990     | 1   | BUMPER            |                     |            | No          | QW      |
| 25   | N745989     | 1   | WASHER            |                     |            | No          | QW      |
| 26   | N745984     | 1   | WASHER            | CENTERING WASHER    |            | No          | QW      |
| 27   | N745982     | 1   | SPRING            |                     |            | No          | QW      |
| 28   | N745996     | 1   | WASHER THRUST     |                     |            | No          | QW      |
| 29   | 000475-00   | 30  | BALL STEEL        |                     |            | No          | QW      |
| 30   | NA100963    | 1   | IMPACTOR          |                     |            | No          | QW      |
| 31   | N735836     | 1   | WASHER            |                     |            | No          | QW      |
| 32   | NA325990    | 1   | NOSE SA           |                     |            | No          | QW      |

## Parts List DCF961H2T CORDLESS IMPACT WRENCH 1

| Item | Part Number | Qty | Part Description           | General Description  | Other Info | Repair Inst | Markets |
|------|-------------|-----|----------------------------|----------------------|------------|-------------|---------|
| 33   | 90607886    | 4   | WASHER                     | NOSECONE FLAT WASHER |            | No          | QW      |
| 34   | N783664     | 4   | WASHER                     | NOSECONE SPLIT LOCK  |            | No          | QW      |
| 35   | NA407885    | 4   | SCREW                      |                      |            | No          | QW      |
| 36   | NA247944    | 1   | RATING LABEL               |                      |            | No          | QW      |
| 37   | NA352845    | 1   | LABEL                      | Foot LABEL           |            | No          | QW      |
| 38   | NA352854    | 1   | LABEL                      | BRUSHLESS LABEL      |            | No          | QW      |
| 41   | N787996     | 1   | INSERT                     |                      |            | No          | QW      |
| 42   | N831593     | 2   | SCREW                      |                      |            | No          | QW      |
| 43   | N893052     | 1   | END CAP                    |                      |            | No          | QW      |
| 800  | 284778-00   | 1   | GREASE                     | MOLYKOTE G68         |            | No          | QW      |
| 861  | N279261     | 1   | KITBOX                     | DWST1-17807          |            | No          | QW      |
| 866  | NA283204    | 2   | BATTERY 18V - 5.0AH - 90WH |                      |            | No          | QW      |
| 871  | NA132878    | 1   | CHARGER                    | DCB1104-QW           |            | No          | QW      |